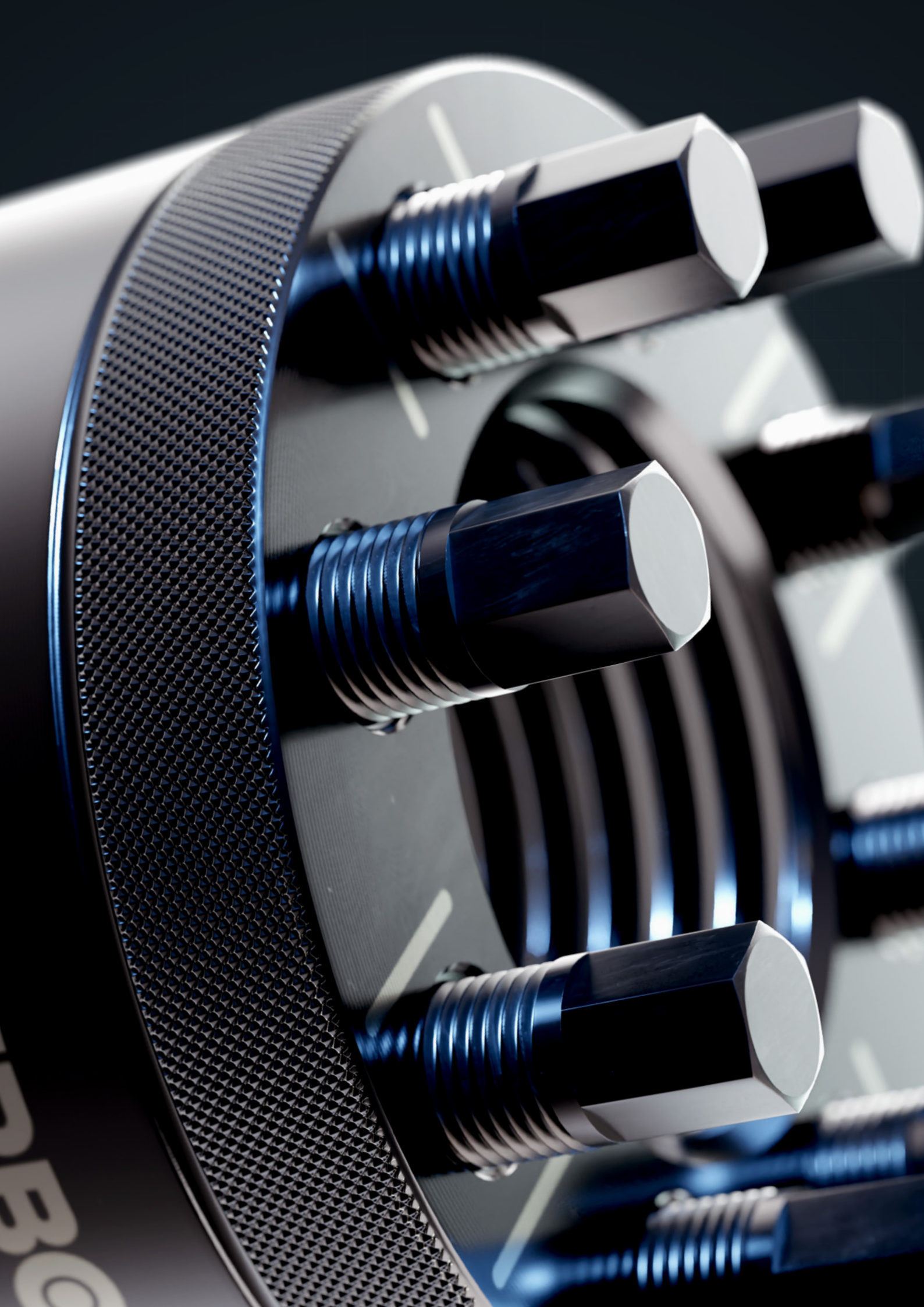




**SUPERBOLT NXT SERIES**

# **EASE INTO THE NEXT GENERATION OF TENSIONING**



BOSS





# THE EASIEST AND MOST ADVANCED MJTS ON THE MARKET

---

Technological advancements are meant to make our lives easier – and tensioning is no exception. As the original inventor of the game-changing multi-jackbolt tensioner (MJT), Superbolt and Nord-Lock Group have once again changed the game with the NXT Series, a multi-jackbolt tensioner that's been redesigned and re-engineered with a host of remarkable new features.

# Easy to

---

## INSTALL

Up to 30% faster to install, thanks to fewer and stronger jackbolts.



## MAINTAIN

Black oxidation coating protects against corrosion and the elements.



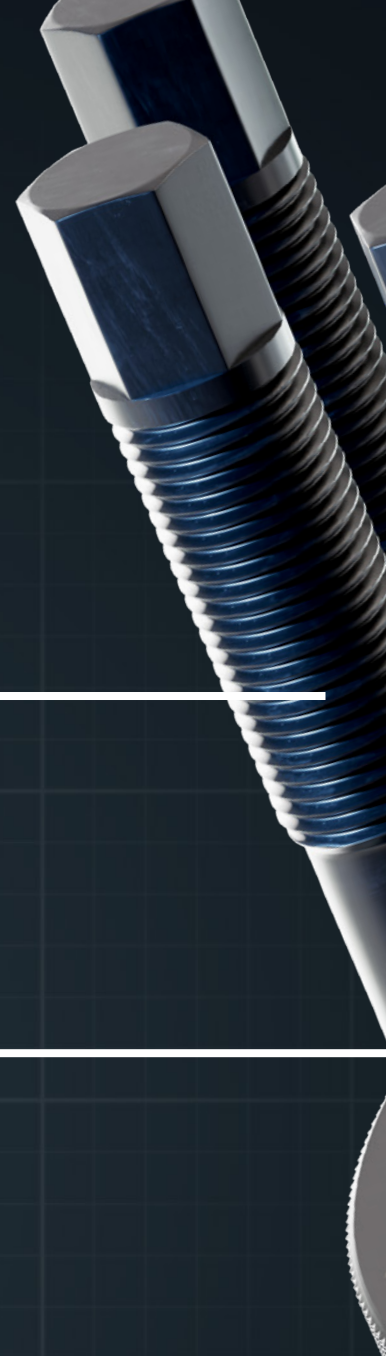
## GRIP

New knurling offers a sturdy, no-slip grip, even in frigid temperatures or while wearing gloves, minimizing dropping and damage.



## CHECK

Laser marked guides take the guesswork out of the NXT's proper tightening order, and the QR code leads you to a wealth of support resources.







**230** 65%  
8.8  
Rec. torque [Nm]

**NXT-M76x6/W**  
2010123456 12345



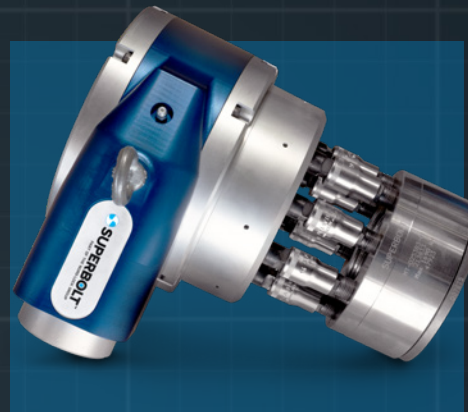
# Tightening large bolts has never been easier.

From the beginning, our goal was to listen to our customers' challenges and make it easier for them to tighten large bolts with multi-jackbolt tensioning. With Superbolt NXT, you can now achieve the same preload with fewer jackbolts — making NXT faster and safer to install.



## NXT can replace any hex nut or round nut

It's easy to switch from hex nuts to NXT tensioners, offering you all of the advantages of this technology.



## Superbolt Tool-compatible

The new NXT is compatible with our Red Dot™ award-winning Superbolt Tool, adding even more ease to installation and removal.



## High accuracy

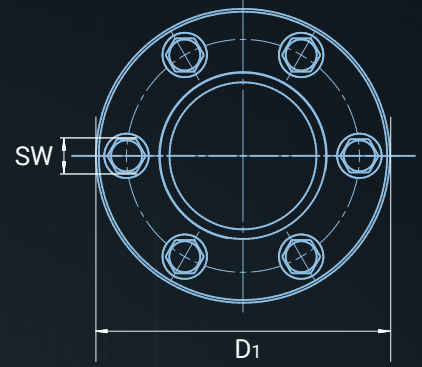
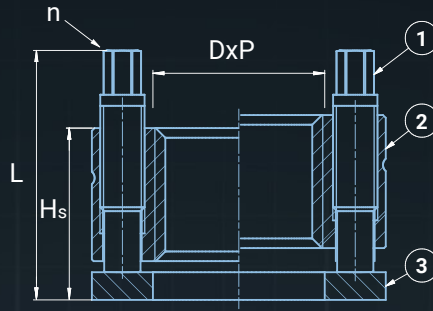
We designed the NXT to be extremely accurate, with a preload range of +/- 10%.



## Comprehensive size range

NXT tensioners are available in sizes M30-M100



- Components**
- 1 Jackbolts
  - 2 Nut body
  - 3 Hardened washer

Product name	Size (D)	Available pitch P [mm]	Rec. Torque [Nm]	Preload nom. [kN]	Diameter D <sub>1</sub> [mm]	Height H <sub>s</sub> [mm]	Height L [mm]	Jackbolt n	SW [mm]	Weight [kg]
NXT-M30x3.5/W	<b>M30</b>	3.5	25	<b>260</b>	54	29	45.0	6	6	0.42
NXT-M33x3.5/W	<b>M33</b>	3.5	28	<b>320</b>	59	33	45.0	6	6	0.54
NXT-M36x4/W	<b>M36</b>	4.0	51	<b>375</b>	66	37	57.5	6	8	0.82
NXT-M39x4/W	<b>M39</b>	4.0	60	<b>450</b>	70	38	58.5	6	8	0.91
NXT-M42x4.5/W	<b>M42</b>	4.5	70	<b>520</b>	75	41	58.5	6	8	1.10

**NOTE**

- All preload and torque values are provided for general reference. Applied preload plus additional bolt load from service should not exceed the maximum bolt or stud capacity.
- Sizes M30 to M42 recommended preloads correspond to 70% of 8.8 yield strength.
- Sizes M45 to M100 available later in 2023, corresponding torque values will be communicated upon release.



# 40 YEARS OF ENGINEERING EXCELLENCE

Since 1984, the year that Superbolt invented the MJT, we have learned volumes about how to keep improving our products – through our own research & development, as well as our thousands of customer interactions.

This culminated in a complete review of our existing MJTs, where we analyzed every feature and detailed how it benefited our customers.

After that, we explored how to maximize those benefits, often redesigning, re-engineering, and re-thinking the norms – ultimately paving the way to the next generation of MJTs.

All of these efforts are to your benefit, as you now have access to the Superbolt NXT Series: the most advanced, innovative, and easy-to-use MJTs on the market.

# BOLTING AND ENGINEERED SOLUTIONS

Nord-Lock Group specializes in bolting, design and engineering solutions. Our technologies include **Nord-Lock** wedge-locking washers that prevent bolt loosening, **Superbolt** multi-jackbolt tensioners (MJTs) that tighten large bolts safely and accurately, **Boltight** hydraulic tensioners that tighten and loosen multiple bolts simultaneously and **Expander System** pivot pins that prevent lug wear.

Along with our technologies, we provide services that focus on life cycle profitability, design and production, training and installation support.



**Nord-Lock International AB**  
T: +46 40 602 46 00  
E: [info@nord-lock.com](mailto:info@nord-lock.com)  
[www.nord-lock.com](http://www.nord-lock.com)

**NORD-LOCK**  
GROUP